

# helo

REWARD YOURSELF

## Installation and User Manual **Piccolo Trend**

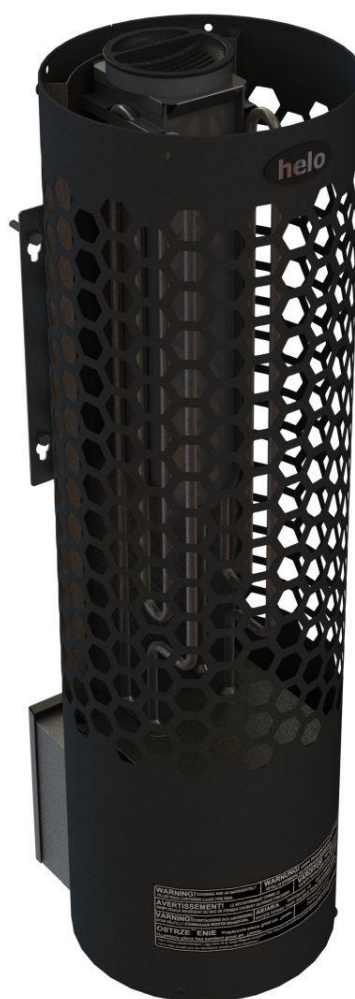
### ELECTRIC SAUNA HEATER:

1217 – 30 – 040511

230V – 240V 1N~ / 2~  
400V – 415V 2N~

### CONTROL PANEL:

1601 – 31 (RA – 31) Trend)



<b>Contents</b>	<b>Page</b>
1.1. Check before taking a sauna bath	3
1.2. Sauna room	3
1.3. Information for users	3
1.4. Operation of the sauna heater controls	3
2. Preparing for sauna heater installation	4
2.1. Installation	4
2.2. Installing the sensor near a supply air vent	4
2.3. Ceiling installation of the sensor	4
2.4. Sauna heater safety clearances	5
2.5. Connection of the sauna heater to the mains	6
2.6. Electric heating toggle	6
2.7. Locating the connecting box for the connection cable in the sauna room	7
2.8. LocatRemote controlling	7
2.9. Door switch	8
2.10. Wiring diagram	9
2.11. Recommended sauna room ventilation	10
2.12. Heating the sauna	10
2.13. Sauna heater stones	11
2.14. If the sauna heater will not heat up	11
2.15. BWT technology in a Piccolo Trend heater	12
2.16. Door switch	12
2.17. Principle image when 1601 - 31 (RA - 31 Trend) is used as control panel	13
3. Piccolo Trend spare part list	14
4. ROHS	15
<b>Figures and tables</b>	
Figure 1 and 2 sensor is installed 40 mm from the ceiling on the centre line	5
Figure 3 Sensor installation to the ceiling	5
Figure 4 OLET 31 sensor position in a ceiling installation.....	5
Figure 5 Heater wall mounts on the heater in wall installation.	5
Figure 6 Heater wall mounts on the heater in corner installation.	5
Figure 7 Location for the connection box	7
Figure 8 Order of RJ 10 connectors. Sensor, Door switch, Remote control,	7
Figure 9 Installing the door switch	8
Figure 10 Pin – order of RJ 10	8
Figure 11 Wiring diagram for the sauna heater	9
Figure 12 Recommended sauna room ventilation	10
Figure 13 Principle image when 1601 - 31 (RA - 31 Trend) is used as control panel	13
Table 1 Safety clearances	5
Table 2 Connection cable and fuses	6
Table 3 Coupling order of RJ connectors to circuit board	7
Table 4 Connecting the door switch.	8
Table 5 Piccolo Trend spare parts list	14

## 1. WARNINGS

### 1.1. Check before taking a sauna bath

1. The sauna room is suitable for taking a sauna bath.
2. The door and the window are closed.
3. The sauna heater is topped with stones that comply with the manufacturer's recommendations, the heating elements are covered with stones, and the stones are piled sparsely.

NOTE! Ceramic rocks are not allowed.

The heater's main switch is located at the bottom of the heater, on the right side as seen from the front.

The main switch is marked with a 0 – 1 sticker.

### 1.2. Sauna room

The walls and ceiling of a sauna room should be thermally well insulated. All surfaces that store heat, such as tiled and plastered surfaces must be insulated. It is recommended to use wooden panel cladding inside the sauna room. If there are heat storage elements in the sauna room, such as decorative stone, glass etc., note that these elements may extend the pre-heating period even though the sauna room is otherwise well insulated (see page 4, section 2. Preparing for sauna heater installation).

### 1.3. Information for users

This appliance may not be used by children aged less than eight years, by persons with reduced physical, sensory or mental capabilities, or by persons lacking experience and knowledge regarding its operation only if such have been given instructions on the safe use of the device and the risks involved. Children must not be allowed to play with the appliance or to clean and service it without supervision. (7.12 EN 60335-1:2012)

### 1.4. Operation of the sauna heater controls

Refer to the specific control panel operating instructions.

Rearrange the sauna stones at least once a year and replace any weathered stones. This enhances air circulation between the stones, which extends the useful life of the thermal resistors.

If you encounter any problems, please contact the manufacturer's warranty service shop.

For additional information about enjoying a sauna bath, please visit our website at : [www.tylohelo.com](http://www.tylohelo.com)

## 2. Preparing for sauna heater installation

Check the following before installing the sauna heater.

- The ratio of the heater's input (kW) and the sauna room's volume (m<sup>3</sup>). Volume recommendations are presented in Table 1 on page 5. The minimum and maximum volumes must not be exceeded.
- The sauna room height must be a min. of 1900 mm.
- Uninsulated and masonry stone walls extend the preheating time. Each square metre of plastered ceiling or wall surface adds 1.2 m<sup>3</sup> to the sauna room's volume.
- Check page 6 Table 2 for a suitable fuse size (A) and the correct diameter of the power supply cable (mm<sup>2</sup>) for the sauna heater in question.
- Conform to the specified safe clearance around the sauna heater. Please refer to page 5.
- If you want to install your Piccolo sauna heater in a corner, detach the wall mounts from the heater, twist them 180 degrees and then reattach them. Refer to Figure 6 on page 5.
- There should be enough room around the sauna heater controls for maintenance purposes. Also a doorway can be considered as a maintenance area.

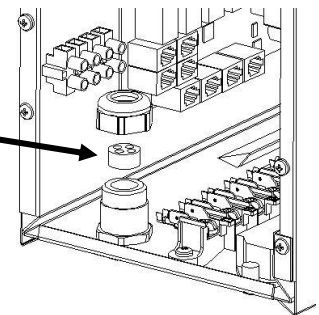
### 2.1. Installation

Follow the safety clearance specifications on page 5 when installing the sauna heater.

Walls or ceilings must not be clad with fibre-reinforced plaster board or other light-weight cladding, because they may cause a fire hazard.

Only a single sauna heater is allowed per sauna room.

Remove the nut and the rubber grommet from the strain relief bushing. Make a vertical split in the spot where the lead-in rubber grommet aligns with the hole. Insert the control panel's RJ10 and the cable through the strain relief bushing and insert the cable through the hole you just made. The sensor cable can be inserted directly through the hole. Tighten the strain relief bushing nipple.

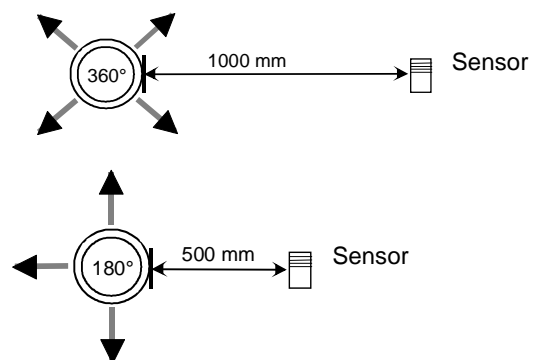


### 2.2. Installing the sensor near a supply air vent

The sauna room air should be exchanged six times in an hour. The diameter of the supply air pipe should be between 50 and 100 mm.

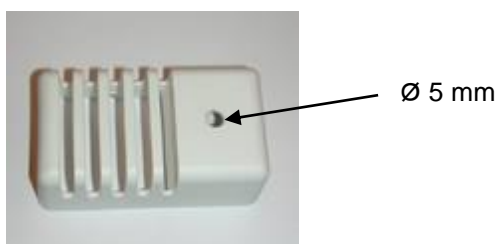
A circular air supply vent (360°) must be installed at least 1000 mm away from the sensor.

An air supply vent with a flow-directing panel (180°) must be installed at least 500 mm away from the sensor. Air flow must be directed away from the sensor.



### 2.3. Ceiling installation of the sensor

In ceiling installation, a 5-mm hole must be drilled to the sensor case to allow any condensed water to drain. Do not spray water directly towards the sensor or splash water at it with a sauna scoop.



### 2.4. Sauna heater safety clearances

Output kW	Sauna rom			Heater minimum clearances				Amount of stones In kg, approx. 20 - 25
	Volume		Height min. mm	From side to wall A mm	From front to sauna bench D mm	To floor K mm	To ceiling H mm	
	min. m <sup>3</sup>	max. m <sup>3</sup>						
3,0	2	4	1900	60	60	60	1050	

Table 1 Safety clearances

**Corner and wall installations:** The OLET 31 sensor is installed 40 mm from the ceiling on the centre line of the heater on a wall. Alternatively, the sensor can be installed on the ceiling above the centre of the heater – see figure 3 and 4.

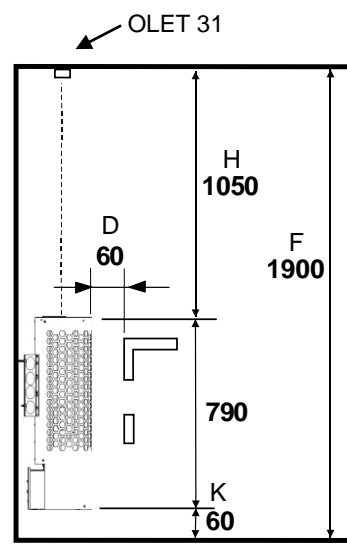
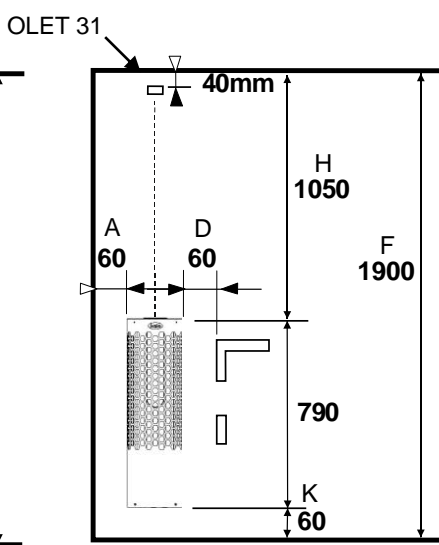
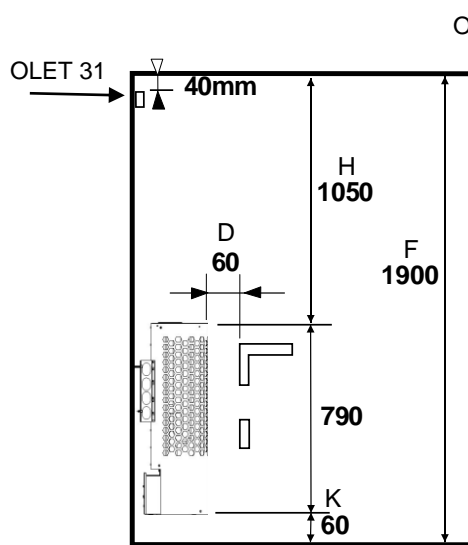


Figure 1 and 2 sensor is installed 40 mm from the ceiling on the centre line of the heater on a wall

Figure 3 Sensor installation to the ceiling

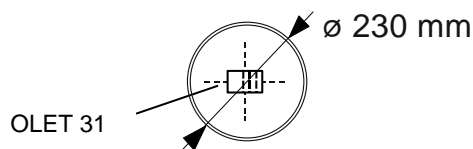


Figure 4. OLET 31 sensor position in a ceiling installation above the heater, 230 mm diameter.

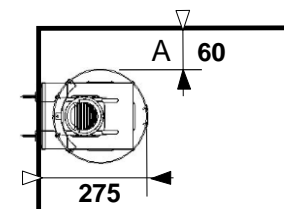
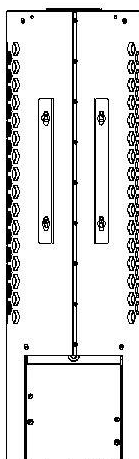


Figure 5. Heater wall mounts on the heater in wall installation.

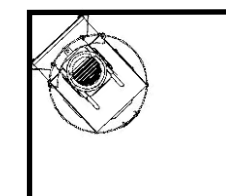
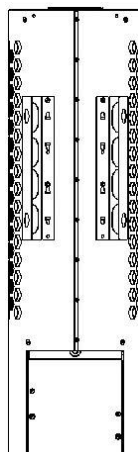


Figure 6  
Heater wall mounts on the heater in corner installation.  
**If you want to install your sauna heater in a corner, detach the wall mounts from the heater, twist them 180 degrees and then reattach them.**

## 2.5. Connection of the sauna heater to the mains

The sauna heater must be connected to the mains by a qualified electrician and in compliance with current regulations. The sauna heater is connected with a semi-permanent connection. Use H07RN-F (60245 IEC 66) cables or a corresponding type. Other output cables (signal lamp, electric heating toggle) must also adhere to these recommendations. Do not use PVC insulated cable as a connection cable for the sauna heater.

A multipolar (e.g. 7-pole) cable is allowed, if the voltage is the same. In the absence of a separate control current fuse, the diameter of all cables must be the same, i.e. in accordance with the front fuse.

The connecting box on the sauna wall should be located within the minimum safety clearance specified for the sauna heater. The maximum height for the connection box is 500 mm from the floor. See page 7.

If the connection box is located at over 500mm distance from the heater, the maximum height is 1000mm from the floor.

Power kW	Sauna heater's connection cable H07RN -F/60245 IEC 66		Fuse A
	230 - 240V 1N~ / 2~ mm <sup>2</sup>	400 – 415V 2N~ mm <sup>2</sup>	
3,0	3 x 2,5		1 x 16
3,0		4 x 1,5	2 x 10

Table 2 Connection cable and fuses

**NOTE:** Controlling the lights in the sauna with the circuit board is only possible with resistive loads (incandescent light bulbs). The circuit board relay cannot withstand capacitive loads (switched-mode power supply units). If the lighting fixtures in the sauna have transformers, for example LED or halogen lamps, the stove circuit board's relay control must be fitted with a separate relay or contactor for controlling the lights.

### Sauna heater insulation resistance:

The sauna heater heating elements may absorb moisture from air, e.g. during storage. This may cause leakage currents. The moisture will be gone after a few heating sessions. Do not connect the heater power supply through a ground fault interrupter.

However, adhere to the effective electrical safety regulation when installing the sauna heater.

## 2.6. Electric heating toggle

Electric heating toggle applies to homes with an electric heating system.

Sauna heater has connections (marked N-55) for controlling the electric heating toggle. Connectors N-55 and the heating elements are simultaneously live (230V). The sauna heater thermostat also controls the heating toggle. In other words, home heating turns on once the sauna thermostat cuts power off the sauna heater.

### 2.7. Locating the connecting box for the connection cable in the sauna room

A = Specified minimum safety clearance

1. Recommended location for the connecting box
2. Silumin box recommended in this area.
3. This area should be avoided. Always use a silumin box.

In other areas, use a heat-resisting box (T 125 °C) and heat-resisting cables (T 170 °C). The connection box must be clear of obstacles. When installing the connection box to zones 2 or 3, refer to the instructions and regulations of the local energy supplier.

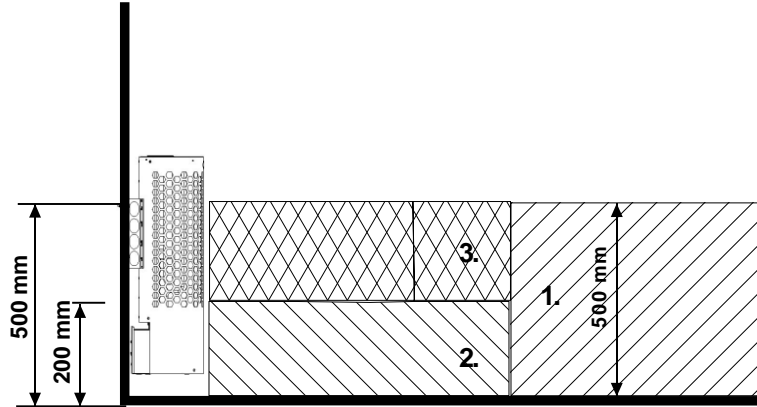


Figure 7 Location for the connection box

### 2.8. Locat remote controlling

The Heater can be remotely controlled by connecting a closed contactor, which can be pulse triggered, to connectors 3 and 4 of a RJ10 circuit board. The recommended cable size is AWG 24 or 26. The maximum length of an AWG 24 cable is 200 m when using a Trend controller.

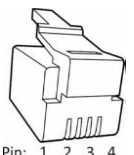
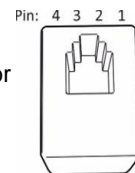
The maximum length of an AWG 26 cable is 130 m when using a Trend controller.

**Note! The sauna standard requires a door switch if the sauna heater is controlled from outside the sauna.**

An indicator light can be connected to the remote button terminal, it will be lit up when the remote command is activated. The indicator light shows an error by blinking rapidly, this error is caused by keeping the sauna door open for more than 5 minutes, the sauna heater will be shut down automatically.

The remotely operated sauna heater stays on as long as the setting in the control panel (in private us max 6h). The sauna heater can be shut off at any time by the remote-control device.

Pin layout of a RJ10 circuit board connector



Pin layout of a RJ10 connector

### Circuit board RJ 10 connectors

**NOTE: Incorrect connections may break a circuit board.**

Additional sensor (NTC)			Remote control switch (Ext switch)			Door switch		
Pin 1			Pin 1			Pin 1		
Pin 2	NTC 10 kOhm	3.3 V	Pin 2			Pin 2	Alarm LED	GND
Pin 3	NTC 10 kOhm	CPU	Pin 3	To switch	GND	Pin 3	Door switch	GND
Pin 4			Pin 4	To switch	12 VDC	Pin 4	Door switch	12 VDC

Sensor (Sec/NTC)		
Pin 1	End stop	GND
Pin 2	NTC 10 kOhm	3.3 V
Pin 3	NTC 10 kOhm	CPU
Pin 4	End stop	10V

Table 3 Coupling order of RJ connectors to circuit board

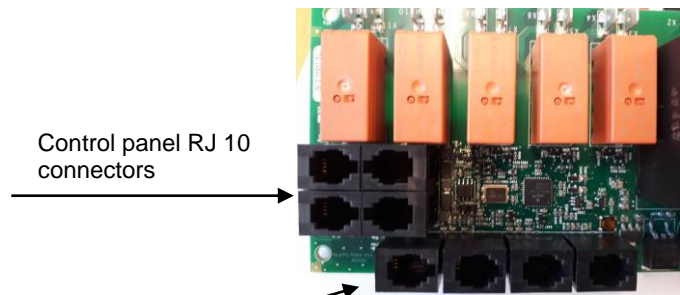


Figure 8 . Order of RJ 10 connectors. Sensor, Door switch, Remote control, Additional NTC

## 2.9. Door switch

The door switch refers to the switch on the sauna door. This switch complies with regulations. Public and private saunas must have a door switch, i.e. saunas where the heater can be switched on from outside the sauna, e.g. using an On/Off button or a similar method.

If the door is opened before the heating sequence is started, (pre-set heating) automatic use (remote use) is disabled after one minute. The door must be closed and the function restarted from the control panel.

If the door has been left open for more than five minutes while the heater is on, the heater is automatically turned off. The heater can be turned on again from the control panel after the door is closed. The fault indicator light, if installed, will start flashing. See installation instructions below.

### Door switch instructions for installation and connection

The door switch is installed outside the sauna room on the upper edge of the door, at least 300 mm from the inner corner. The switch part is installed on the door frame and the magnet is installed on the door. The distance between the switch and the magnet is 18 mm.

When the door switch is installed on the top part of the door, TylöHelo recommends using the TylöHelo model with product number 0043233, SSTL 8260371.

When the door switch is installed on the bottom part of the door, TylöHelo recommends using the TylöHelo model with product number SP11000326, SSTL 8263280.

See the installation and user instructions supplied with the heater for instructions.

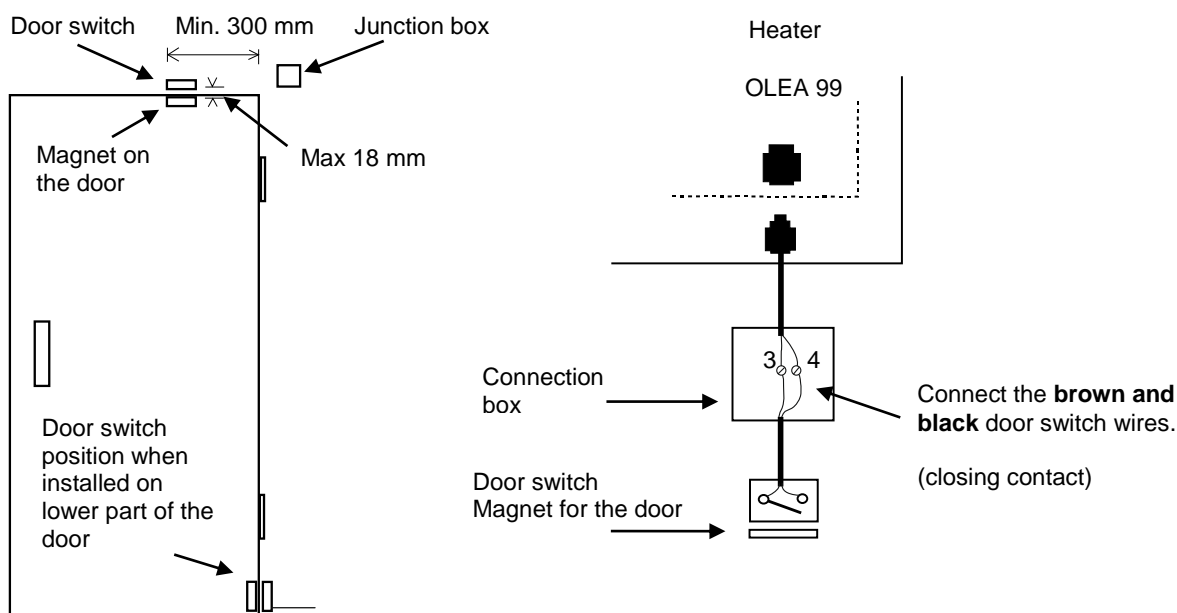


Figure 9 Installing the door switch

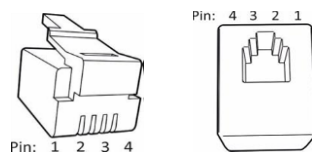


Figure 10. Pin layout of a RJ10 connector

Door switch		Conductor colour	
Pin 1			
Pin 2			
Pin 3	Door switch	GND	Orange
Pin 4	Door switch	12 VDC	Green/white

Table 4. Connecting the door switch.



2.10. Wiring diagram

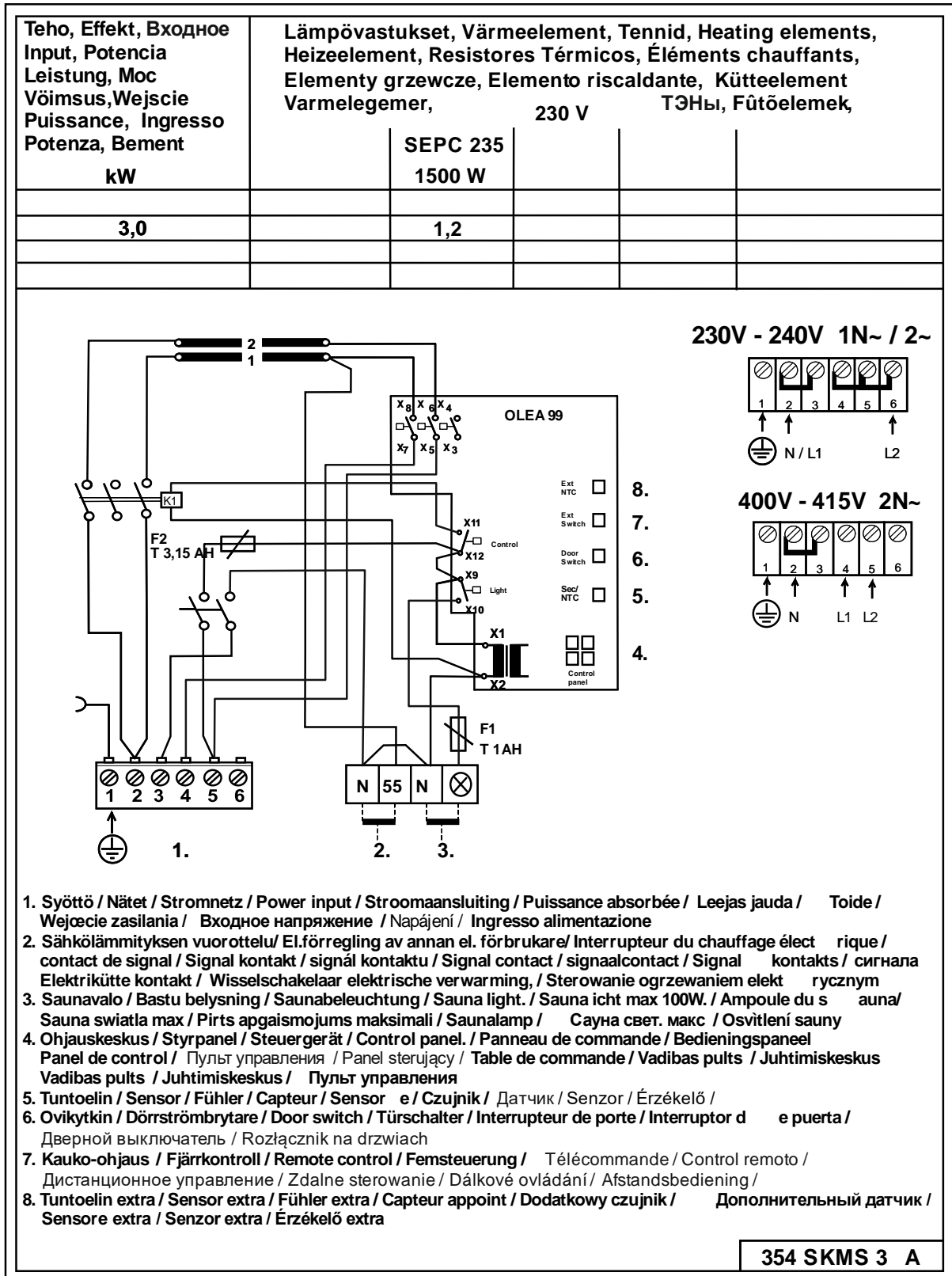


Figure 11 Wiring diagram for the sauna heater

**2.11. Recommended sauna room ventilation**

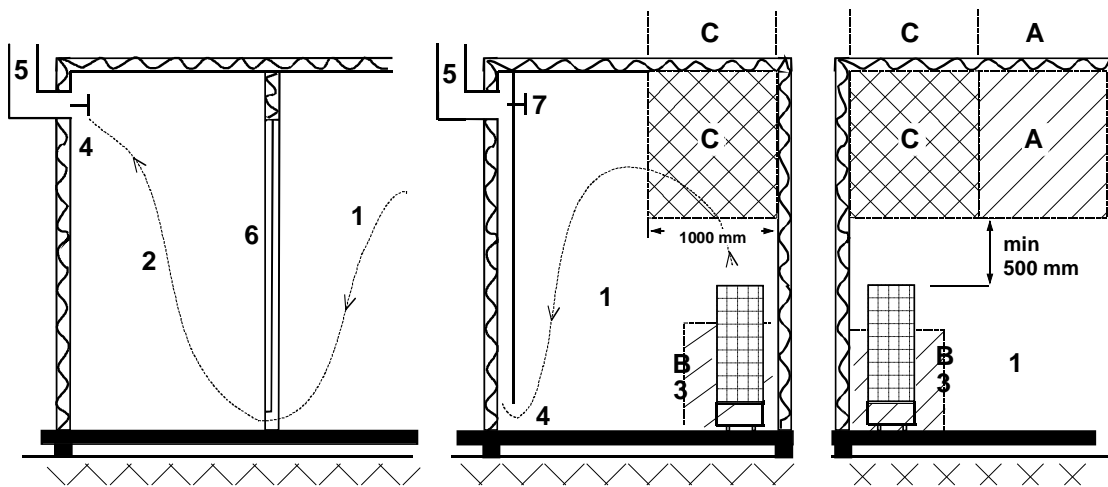


Figure 12 Rekommeded sauna room ventilation

- 1. Sauna room
- 2. Washroom
- 3. Electric sauna heater
- 4. Exhaust valve
- 5. Exhaust flue or channel
- 6. Door to the sauna room

7. A ventilation valve can be installed here to be kept closed while the sauna is heated and during bathing.

Inlet vent can be positioned in the A zone. Make sure the incoming fresh air will not interfere with (i.e. cool down) the sauna heater's thermostat near the ceiling.

The B zone serves as the incoming air zone, if the sauna room isn't fitted with forced ventilation. In this case, the exhaust valve is installed min 1m higher than the inlet valve.

**DO NOT INSTALL INLET VALVE WITHIN ZONE C, IF THE SAUNA HEATER'S CONTROL THERMOSTAT IS LOCATED IN THE SAME ZONE.**

**2.12. Heating the sauna**

Before turning the sauna heater on, make sure the sauna room is suitable for taking a sauna bath. When heated for the first time, the sauna heater may emit some odour. If you detect any odour while the sauna heater warms up, disconnect the sauna heater briefly, and air the room. Then turn the sauna heater back on.

You should turn the sauna heater on roughly an hour before you plan to take a sauna bath, so that the stones have time to heat up properly and the air warms up evenly in the sauna room.

If you encounter any problems, please contact the manufacturer's warranty service shop.

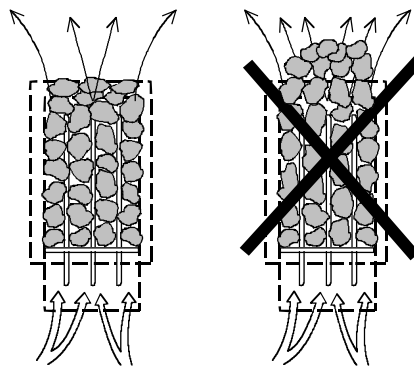
Pleasant, smooth sauna bath temperature is about 70 °C.

**Do not put any objects on the sauna heater. Do not dry clothes on the sauna heater or anywhere in its vicinity.**

### 2.13. Sauna heater stones

Quality stones meet the following requirements:

- Sauna stones should withstand heat and heat variation caused by vaporisation of the water thrown on the stones.
- Stones should be rinsed before use in order to avoid odour and dust.
- Sauna stones should have an uneven surface to supply a larger surface for the water to evaporate from.
- Sauna stones should be large enough, measuring about 50–70 mm to allow good ventilation between the stones. This extends the useful life of the heating elements.
- Sauna stones should be piled sparsely in order to enhance ventilation between the stones. Do not bend the heating elements together or against the frame.
- Rearrange the stones regularly (at least once a year) and replace small and broken stones with new, larger stones.
- Empty the stone compartment regularly, at least once a year in private use, remove small and broken stones and replace them with new ones.
- In commercial use this operation must be performed at least every second month.
- Stones are piled so that they cover the heating elements. Do not, however, pile a large heap of stones on the heating elements. For a sufficient amount of stones refer to Table 1 on page 5. Any small stones in the package of stones must not be piled on the sauna heater.
- The warranty does not cover defects resulting from poor ventilation caused by small and tightly packed stones.
- Structural clay tiles are not allowed. They may cause damage to the sauna heater that will not be covered by the warranty.
- Do not use soapstone as sauna rocks. Any damages resulting from this will not be covered by the stove warranty.
- Do not use lava stone as sauna rocks. Any damages resulting from this will not be covered by the stove warranty.
- **DO NOT USE THE HEATER WITHOUT STONES.**



### 2.14. If the sauna heater will not heat up

If the sauna heater will not heat up, please check that:

- the power is on;
- the main fuses of the sauna heater are intact;
- is there any error messages on the control panel. In case of an error message on the control panel, please refer to the control panel instructions.

THE PERSON INSTALLING THE SAUNA HEATER SHOULD LEAVE THESE INSTRUCTIONS AT THE PREMISES FOR THE FUTURE USER.

## 2.15. BWT technology in a Piccolo Trend heater

**Bio Water Technology (BWT) uses the heater's thermal energy to heat water and raise the moisture level without a separate heat source. Moisturised air improves the sauna climate, and various fragrances and salts can be evaporated to make the sauna experience more enjoyable.**

A water tank with a lid is delivered with the heater; the tank can be installed in the wider gap between the heating elements. The water tank can be installed when approximately 2/3 of the heater stones have been stacked. The water tank, even when empty, does not need to be removed when the heater is on.

The tank has a capacity of approximately 1,4 litres. Bringing water to the boil when the tank is full takes approximately 1-2 hours depending on the set temperature.

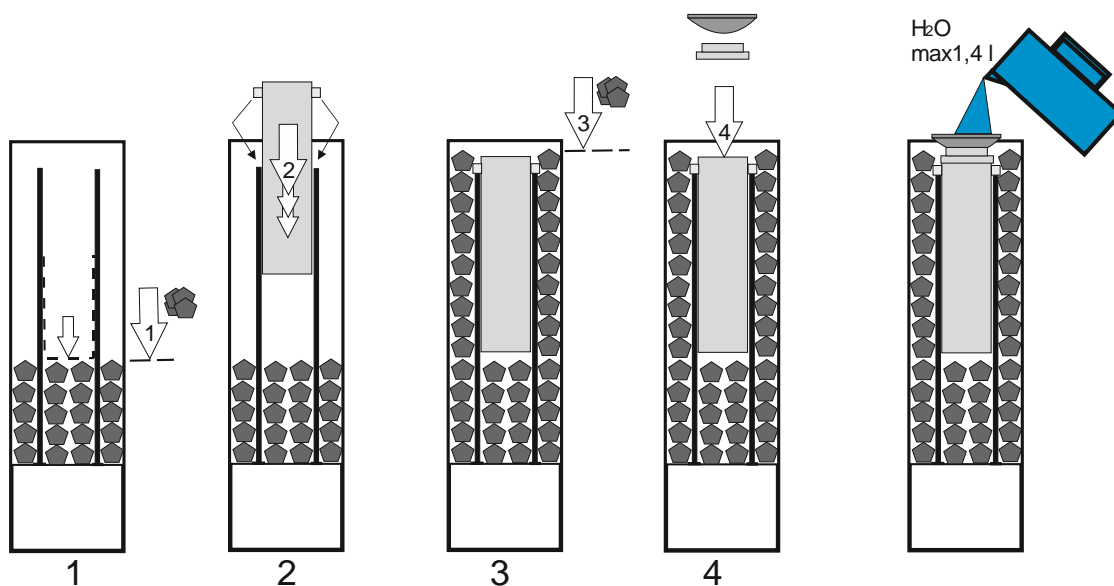
It is recommended to pour water into the tank when the heater is turned off. Water is poured through the grate on the lid. You can pour less water into the tank if the bathing time is shorter.

The water tank must be removed and impurities, such as limescale etc. removed every so often. The stones surrounding the tank must be removed during cleaning, so that the tank can be lifted more easily.

When the water is boiling, the moisture levels in the sauna remain high. This means that the temperature can be kept lower while still experiencing pleasant heat. More heat and moisture can, if necessary, be created by throwing water on the stones on top of the heater.

Mild fragrance essences, suitable for heater use, can be put in the water tank.

You can, for example, put mountain salt crystals on the lid of the water tank. They dissolve into the steam and evaporate into the air. If mountain salt crystals are placed in the water tank, the salinity of the water will remain 26%.



## 2.16. Door switch

The door switch refers to the switch on the sauna door. This switch complies with regulations. Public and private saunas must have a door switch, i.e. saunas where the heater can be switched on from outside the sauna, e.g. using an On/Off button or a similar method.

If the door is opened before the heating sequence is started, (pre-set heating) automatic use (remote use) is disabled after one minute. The door must be closed and the function restarted from the control panel.

If the door has been left open for more than five minutes while the heater is on, the heater is automatically turned off. The heater can be turned on again from the control panel after the door is closed.

For installation and user instructions, please refer to the manual supplied with the door switch accessory, which is sold separately.

2.17. Principle image when 1601 - 31 (RA - 31 Trend) is used as control panel

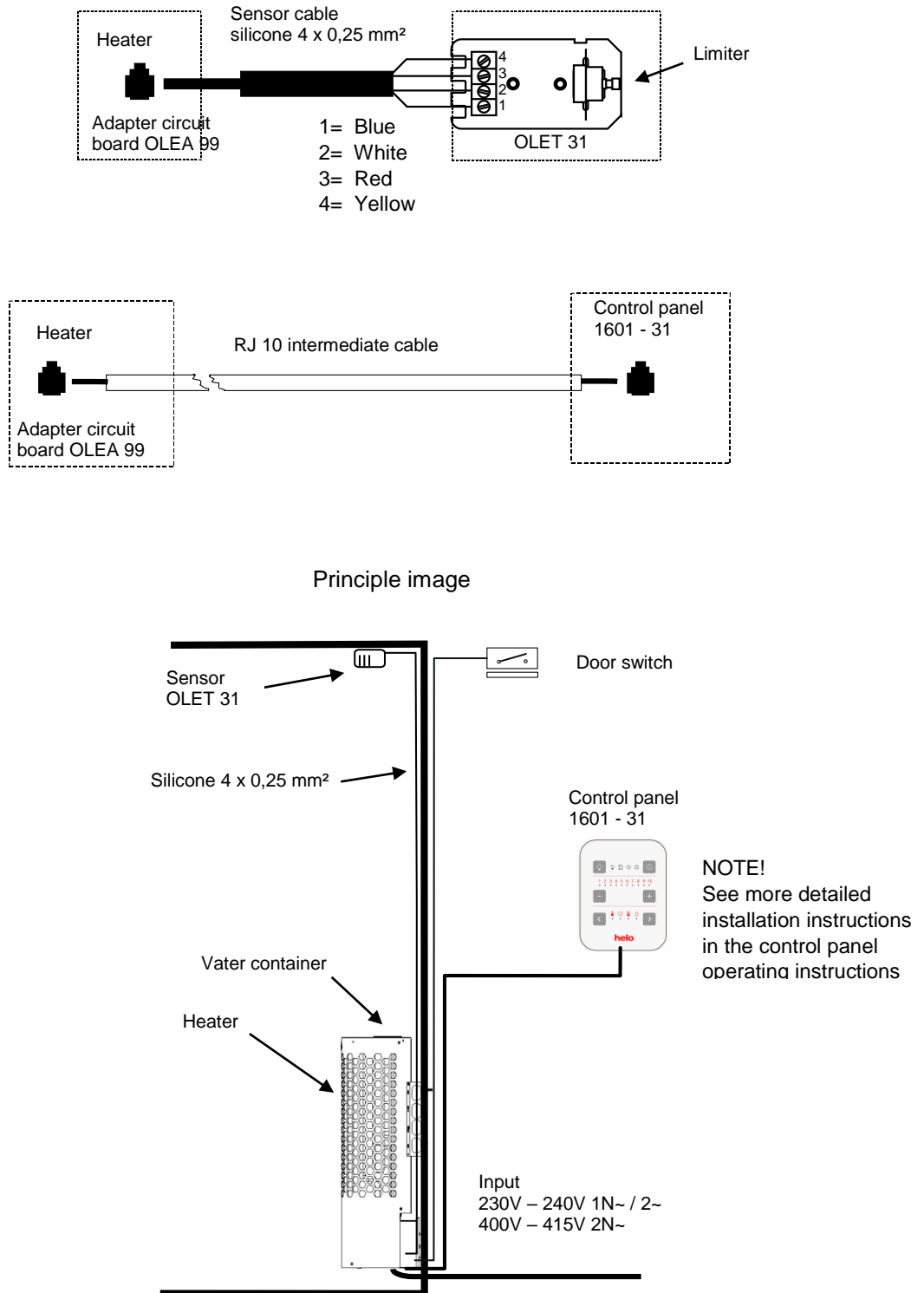


Figure 13 Principle image when 1601 - 31 (RA - 31 Trend) is used as control panel

**3. Piccolo Trend spare part list**

Part	Part nummer	Part name	Piccolo 30 Trend
1	7712000	Cable clamp	1
2	5916320	Circuit board OLEA 99	1
3	5716203	Finder relay	1
4	7801710	Fuse 3,15 AT	1
5	7817536	Fuse holder	1
6	6101741	Rocker switch OAAA 2	1
7	7306008	Rubber cover for rocker switch	1
8	5208822	Heating element SEPC 235 1500W/230V	2
9	7513002	Screw M5 x 10	2
10	SP4056305	Vater container	1
11	SP4056306	Cover	1

Table 5 Piccolo Trend spare parts list

## 4. ROHS

### Ympäristönsuojeluun liittyviä ohjeita

Tämän tuotteen käyttöön päätyttyä sitä ei saa hävittää normaalin talousjätteen mukana, vaan se on toimitettava sähkö- ja elektroniikkalaitteiden kierrätykseen tarkoitettuun keräyspisteeseen.

Symboli tuotteessa, käyttöohjeessa tai pakkauksessa tarkoittaa sitä.



Valmistusaineet ovat kierrätettävissä merkintänsä mukaan. Käytettyjen laitteiden uudelleenkäytöllä, materiaalien hyödyntämisellä tai muulla uudelleenkäytöllä teet arvokkaan teon ympäristömme hyväksi. Tuote palautetaan ilman kiuaskiviä ja verhoukiviä kierrätyskeskukseen.

Tietoa kierrätyspaikoista saat kuntasi palvelupisteestä.

### Anvisningar för miljöskydd

Denna produkt får inte kastas med vanliga hushållssopor när den inte längre används. Istället ska den levereras till en återvinningsplats för elektriska och elektroniska apparater.

Symbolen på produkten, handboken eller förpackningen refererar till detta.



De olika materialen kan återvinnas enligt märkningen på dem. Genom att återanvända, nyttja materialen eller på annat sätt återanvända utsliten utrustning, bidrar du till att skydda vår miljö.

Produkten returneras till återvinningscentralen utan bastusten och eventuell täljstensmantel.

Vänligen kontakta de kommunala myndigheterna för att ta reda på var du hittar närmaste återvinningsplats.

### Instructions for environmental protection

This product must not be disposed with normal household waste at the end of its life cycle. Instead, it should be delivered to a collecting place for the recycling of electrical and electronic devices.

The symbol on the product, the instruction manual or the package refers to this.



The materials can be recycled according to the markings on them. By reusing, utilising the materials or by otherwise reusing old equipment, you make an important contribution for the protection of our environment. Please note that the product is returned to the recycling centre without any sauna rocks and soapstone cover.

Please contact the municipal administration with enquiries concerning the recycling place.

### Hinweise zum Umweltschutz

Dieses Produkt darf am Ende seiner Lebensdauer nicht über den normalen Haushaltsabfall entsorgt werden, sondern muss an einem Sammelpunkt für das Recycling von elektrischen und elektronischen Geräten abgegeben werden.

Das Symbol auf dem produkt, der Gebrauchsanleitung oder der Verpackung weist darauf hin.



Die Werkstoffe sind gemäß ihrer Kennzeichnung wiederverwertbar. Mit der Wiederverwendung, der stofflichen Verwertung oder anderen Formen der Verwertung von Altgeräten leisten Sie einen wichtigen Beitrag zum Schutze unserer Umwelt. Dieses Produkt soll ohne Steine und Specksteinmantel an dem Sammelpunkt für Recycling zurückgebracht werden.

Bitte erfragen Sie bei der Gemeindeverwaltung die zuständige Entsorgungsstelle.